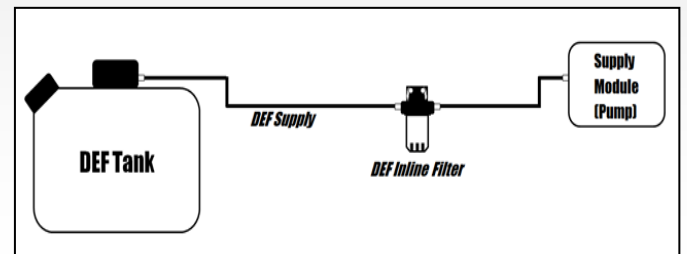


DEF / ADBLUE INLINE FILTER



THE FEATURES YOU NEED TO PREVENT DOWNTIME

Less frequent and easier maintenance

- 40 micron nominal rating
- 5X the holding capacity of conventional in tank DEF filter

Heater options for cold climates

- 12 or 24 volt electric
- Thermal cutoff to prevent over-heating

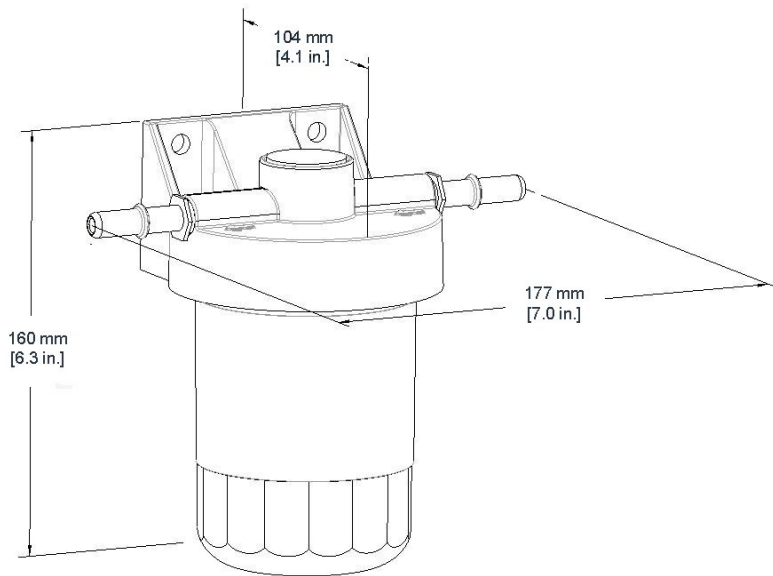
Easy vehicle installation

- Integrated mounting bracket
- J2044 inlet and outlet fittings
- 2 position electrical connector



Custom Products for Distinguished Customers

25190 Bernwood Drive, Bonita Springs, FL 34135
toll free 1.800.997.SHAW tel 239.405.6100 www.ShawDev.com



Materials of Construction	
Item	Description
Filter, Base	Nylon
Bowl	HDPE
Element	Polypropylene
O-ring	EPDM
Gasket	EPDM
Fittings	Stainless Steel
Heater	Stainless Steel

Ordering Numbers		
Heated		
Part Number	Description	End Connections, SAE J2044
918-0631-24-55	12 and 24 VDC	5/16 in x 5/16 in
918-0631-24-66	12 and 24 VDC	3/8 in x 3/8 in
Non-Heated		
918-0631-00-55		5/16 in x 5/16 in
918-0631-00-66		3/8 in x 3/8 in
Replacement Filter Element Cartridge		
918-0749-01-K	40 Micron Filter Element Cartridge Subassembly	

Technical Data						
Filter Type	Operating Temperature Rating	Working Pressure Rating	Flow Rating	Power Consumption (steady state)		Particle Removal Efficiency
Heated	-40 to 75°C	-500 to 500 Mbar	Unloaded (0gm) 10 mBar @ 30Lph Loaded - (50 gm) 25 mBar @ 30 Lph	@12 VDC	@24 VDC	≥ 98 % efficient with particles to 40 micron
				<10 amps	<10 amps	
Non-Heated	15 to 75°C			N/A		

Thaw Performance
The electronic heating configuration provides capability to flow/dose within 30 minutes at -30C.
With cold/arctic installation considerations, flow/dosing is achieved at 40 minutes at -40C.

Custom Products for Distinguished Customers