

DEF / AdBlue® Inline Filter

The DEF / AdBlue® Inline Filter prevents damage to expensive downstream components, reduces equipment maintenance costs and prevents downtime.

THE FEATURES YOU NEED TO PREVENT DOWNTIME

Extended Service Intervals

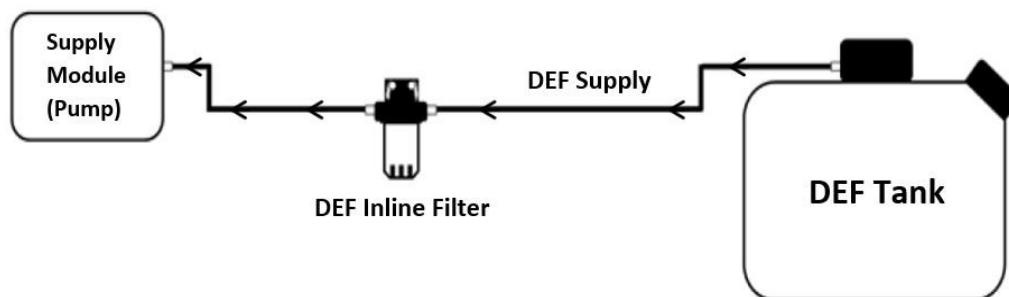
- 5 times more capacity than traditional in tank DEF filter
- 40 and 20 micron nominal filtration standard size, other sizes available upon request

Cold Weather Options

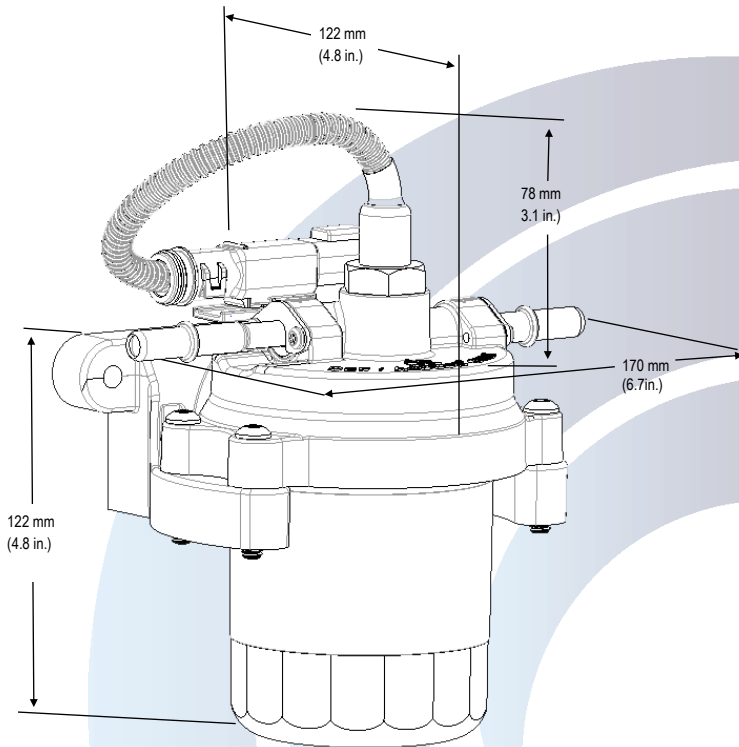
- Integrated Electric Heating with 12 to 24 V DC capability
- Automatic thermal control to prevents overheating the fluid
- Coolant heated version also available

Simple Integration

- Positionable mounting bracket allows for orientation in either flow direction.
- SAE J2044 fluid connections
- 2 pin Deutsch electrical connection



Making Fluid Function



All material compatible with AdBlue®/DEF & Diesel fuel

ORDERING NUMBERS		
HEATED - 40 Micron		
PART NUMBER	INLET FITTING SAE J2044	OUTLET FITTING SAE J2044
DF2-404-24FD-6610	3/8"	3/8"
DF2-404-24FD-6510	3/8"	5/16"
DF2-404-24FD-5510	5/16"	5/16"
DF2-404-24FD-5610	5/16"	3/8"
NON-HEATED - 40 Micron		
PART NUMBER	INLET FITTING SAE J2044	OUTLET FITTING SAE J2044
DF2-404-0000-6610	3/8"	3/8"
DF2-404-0000-6510	3/8"	5/16"
DF2-404-0000-5510	5/16"	5/16"
DF2-404-0000-5610	5/16"	3/8"
REPLACEMENT FILTER ELEMENT CARTRIDGE - 40 Micron		
PART NUMBER	ORDER QUANTITY OPTIONS	
DFC2-404-10	SINGLE (1) CARTRIDGE	
DFC2-404-10-BULK	EIGHTEEN (18) CARTRIDGES	

TECHNICAL DATA

FILTER TYPE	OPERATING TEMPERATURE	WORKING PRESSURE RATING	FLOW RATING	POWER CONSUMPTION (steady state)	PARTICLE REMOVAL EFFICIENCY
HEATED	- 40 to 75 °C	- 500 to 500 Mbar	30 Lph @ 10 mBar ΔP Unloaded (0 gm) 30 Lph @ 25 mBar ΔP Loaded (50 gm)	< 10 amps	≥ 98 % at 40 μm
NON-HEATED	15 to 75 °C			N/A	

THAW PERFORMANCE

The electric heater has the capacity to thaw a full and frozen (- 25 °C) filter cartridge (bowl assembly) to enable dosing within 20 Minutes of power on.

When full and frozen at (- 40 °C) the electric heater has the capacity to thaw and enable dosing within 40 minutes of power on.

Shaw Development, LLC
 25190 Bernwood Drive
 Bonita Springs, FL 34135 US
 Toll Free +1.800.997.7429
 Tel +1.239.405.6100 shawdev.com